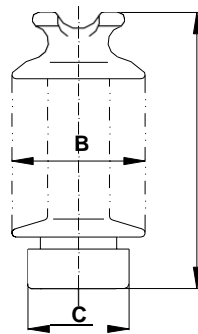
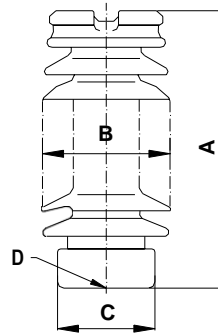


POECELAIN LINE POST INSULATOR



F-Neck

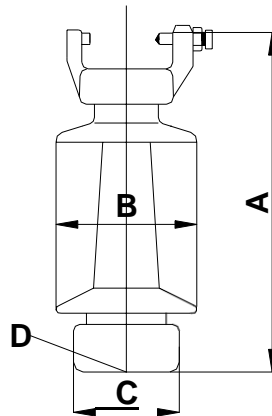


N-Neck

STANDARD PARTICULARS

Cat. No.	0301 020	0301 025	0301 035	0301 045	0301 055	0301 066	0301 088		
Usual line voltage/kV	20	25	35	45	55	66	88		
ANSI Class	—	57-1	57-2	57-3	57-4	57-5	57-6		
Designation of Neck	F	F	F	F	N	N	N		
Height "A"/in(mm)	7-1/2 (191)	8-3/4 (222)	12 (305)	14-1/2 (369)	17 (432)	20 (508)	23 (584)		
Diameter "B"/in(mm)	5-1/2 (140)	5-3/4 (146)	5-3/4 (146)	6 (512)	7 (178)	7 (178)	7-5/16(185)		
Diameter "C" /in(mm)	3-3/4 (95)	4 (102)	4 (102)	4-1/2 (114)	5 (127)	5 (127)	5-1/2 (140)		
Thread "D" /in(mm)	3/4-10 UNC	3/4-10 UNC	3/4-10 UNC	3/4-10 UNC	3/4-10 UNC	3/4-10 UNC	7/8-9UNC		
Min. leakage distance/in(mm)	11 (280)	14 (356)	22 (559)	29 (737)	40 (1015)	45 (1145)	53 (1345)		
Dry arcing distance/in(mm)	5-3/4 (146)	6-1/2 (165)	9-1/2 (241)	12-1/4 (311)	14-1/2 (368)	17-1/4 (438)	19-1/4(489)		
Cantilever strength/lb(kN)	2000 (9)	2800 (12.5)	2800 (12.5)	2800 (12.5)	2800 (12.5)	2800 (12.5)	2800 (12.5)		
Average flashover voltage	Low Frequency	Dry/kV	80	80	110	125	150	175	200
		Wet/kV	55	60	85	100	125	150	170
	Critical Impulse	Pos. /kV	105	130	180	210	255	290	330
		Neg. /kV	130	155	205	260	340	380	425
Withstand voltage	Low frequency	Dry/kV	60	60	90	100	120	140	160
		Wet/kV	40	45	65	80	100	120	135
	Impulse/kV	85	110	150	170	200	235	250	
Radio influence voltage data	Test voltage/kV	15	15	22	30	44	44	44	
	Max. RIV at 1,000kHz/uV	50	100	100	200	200	200	200	
Net weight/lb(kg)	8.5 (3.9)	11 (5)	17 (7.7)	22 (10)	36 (16)	46 (21)	51 (23)		

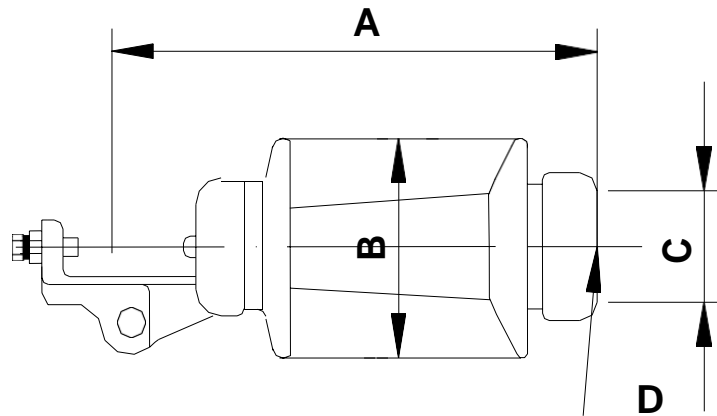
POECELAIN LINE POST INSULATOR



STANDARD PARTICULARS

Cat. No.	030102 5-01	030103 5-01	030104 5-01	030105 5-01	030106 6-01	030108 8-01		
Usual line voltage/kV	25	35	45	55	66	88		
ANSI Class	57-11	57-12	57-13	57-14	57-15	57-16		
Height" A"/in(mm)	10-5/8 (270)	13-3/4 (349)	16-1/2 (419)	19 (483)	21-5/8 (549)	24-1/4 (616)		
Diameter "B"/in(mm)	5-3/4 (146)	6 (152)	6 (152)	6-3/4 (172)	6-3/4 (172)	7-1/4 (185)		
Diameter "C" /in(mm)	4 (102)	4-1/2 (114)	4-1/2 (114)	5 (127)	5 (127)	5-1/2 (140)		
Thread "D" /in(mm)	3/4-10 UNC	3/4-10 UNC	3/4-10 UNC	3/4-10 UNC	3/4-10 UNC	7/8-9 UNC		
Min. leakage distance/in(mm)	14 (356)	22 (559)	29 (737)	14-1/2 (368)	17-1/4 (438)	19-1/4 (489)		
Dry arcing distance/in(mm)	6-1/2 (165)	9-1/2 (241)	12-1/4 (311)	14-1/2 (368)	17-1/4 (438)	19-1/4 (489)		
Cantilever strength/lb(kN)	2800 (12.5)	2800 (12.5)	2800 (12.5)	2800 (12.5)	2800 (12.5)	2800 (12.5)		
Average flashover voltage	Low Frequency	Dry/kV	80	110	125	150	175	200
		Wet/kV	60	85	100	125	150	170
	Critical Impulse	Pos. /kV	130	180	210	255	290	330
		Neg. /kV	155	205	260	340	380	425
Withstand voltage	Low frequency	Dry/kV	60	90	100	120	140	160
		Wet/kV	45	65	80	100	120	135
	Impulse/kV	110	150	170	200	235	250	
Radio influence voltage data	Test voltage/kV	15	22	30	44	44	44	
	Max. RIV at 1,000kHz/uV	100	100	200	200	200	200	
Net weight/lb(kg)	15 (6.8)	22 (10)	26 (11.8)	35 (15.9)	41 (18.6)	50 (22.7)		

POECELAIN LINE POST INSULATOR

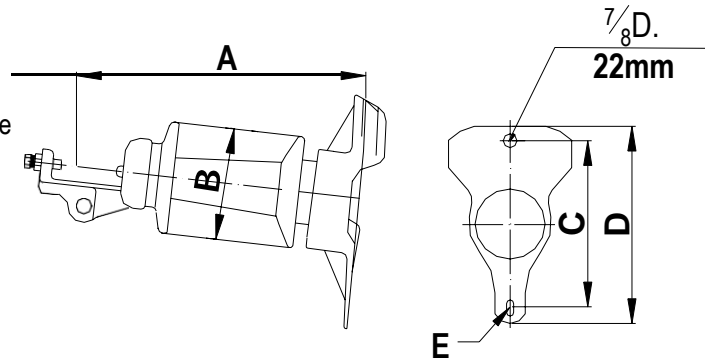


STANDARD PARTICULARS

Cat. No.	03010 20-01	03010 25-02	03010 35-02	03010 45-02	03010 55-02	03010 66-02	03010 88-02		
Usual line voltage/kV	20	25	35	45	55	66	88		
ANSI Class	-	57-21	57-22	57-23	57-24	57-25	57-26		
Height" A"/in(mm)	10 (254)	11-3/8 (289)	14-1/2 (368)	17-1/4 (438)	19-3/4 (502)	22-3/8 (568)	25 (635)		
Diameter "B"/in(mm)	5-1/2 (140)	5-3/4 (146)	6 (152)	6 (152)	6-3/4 (172)	6-3/4 (172)	7-1/4 (185)		
Diameter "C" /in(mm)	4 (102)	4 (102)	4-1/2 (114)	4-1/2 (114)	5 (127)	5 (127)	5-1/2 (140)		
Thread "D" /in(mm)	3/4-10 UNC	3/4-10 UNC	3/4-10 UNC	3/4-10 UNC	3/4-10 UNC	3/4-10 UNC	7/8-9U NC		
Min. leakage distance/in(mm)	10 (254)	14 (356)	22 (559)	29 (737)	40 (1015)	45 (1145)	53 (1345)		
Dry arcing distance/in(mm)	5 (127)	6-1/2 (165)	9-1/2 (241)	12-1/4 (311)	14-1/2 (368)	17-1/4 (438)	19-1/4 (489)		
Cantilever strength/lb(kN)	2800 (12.5)	2800 (12.5)	2800 (12.5)	2800 (12.5)	2800 (12.5)	2800 (12.5)	2800 (12.5)		
Average flashover voltage	Low Frequency	Dry/kV	70	80	110	125	150	175	200
		Wet/kV	65	70	100	115	135	160	180
	Critical Impulse	Pos. /kV	100	130	180	210	255	290	330
		Neg. /kV	125	155	205	260	340	380	425
Withstand voltage	Low frequency	Dry/kV	55	60	90	100	120	140	160
		Wet/kV	50	55	80	90	110	130	145
	Impulse/kV	80	110	150	170	200	235	250	
Radio influence voltage data	Test voltage/kV	15	15	22	30	44	44	44	
	Max. RIV at 1,000kHz/uV	50	100	100	200	200	200	200	
Net weight/lb(kg)	13 (5.9)	16 (7.3)	22 (10)	28 (12.7)	36 (16.4)	42 (19.1)	52 (23.6)		

POECELAIN LINE POST INSULATOR

Horizontal Mounting Clamp-top Type With Curved Base

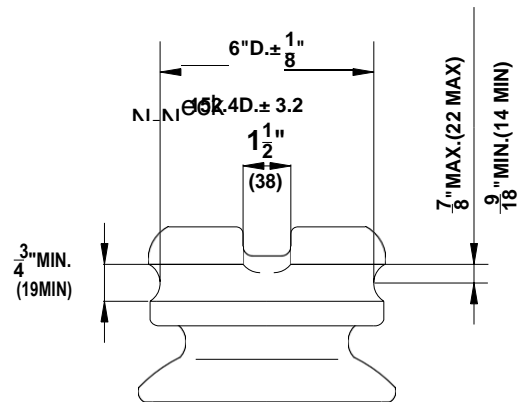
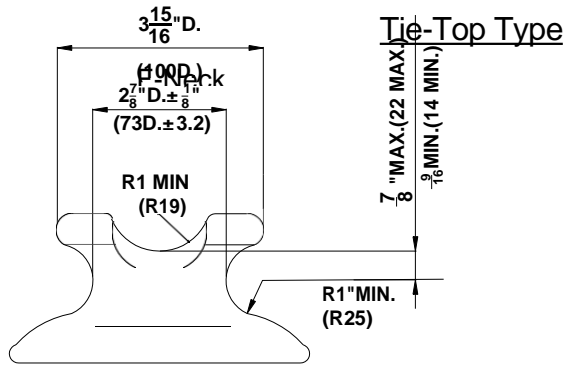


STANDARD PARTICULARS

Cat. No.	030102 0-02	030102 5-03	030103 5-03	030104 5-03	030105 5-03	030106 6-03	030108 8-03		
Usual line voltage/kV	20	25	35	45	55	66	88		
ANSI Class	-	57-31	57-32	57-33	57-34	57-35	57-36		
Height "A"/in(mm)	10-3/8 (264)	11-3/4 (298)	14-7/8 (378)	17-5/8 (448)	19-3/4 (502)	22-3/8 (568)	25 (635)		
Diameter "B"/in(mm)	5-1/2 (140)	5-3/4 (146)	6 (152)	6 (152)	6-3/4 (172)	6-3/4 (172)	7-1/4 (185)		
Length "C" /in(mm)	10 (254)	10 (254)	10 (254)	10 (254)	10 (254)	12 (305)	12 (305)		
Length "D" /in(mm)	12 (305)	12 (305)	12 (305)	12 (305)	12 (305)	14 (356)	14 (356)		
Slot Hole "E"/in(mm)	7/8x1-1/8 8 (22x29)	7/8x1-1/8 8 (22x29)	7/8x1-1/8 8 (22x29)	7/8x1-1/8 8 (22x29)	7/8x1-15/16 /16 (22x24)	7/8x1-3/8 16 (22x30)	7/8x1-1/8 8 (22x29)		
Min. leakage distance/in(mm)	10 (254)	14 (356)	22 (559)	29 (737)	40 (1015)	45 (1145)	53 (1345)		
Dry arcing distance/in(mm)	5 (127)	6-1/2 (165)	9-1/2 (241)	12-1/4 (311)	14-1/2 (368)	17-1/4 (438)	19-1/4 (489)		
Cantilever strength/lb(kN)	2800 (12.5)	2800 (12.5)	2800 (12.5)	2800 (12.5)	2800 (12.5)	2800 (12.5)	2800 (12.5)		
Average flashover voltage	Low Frequency	Dry/kV	70	80	110	125	150	175	200
		Wet/kV	65	70	100	115	135	160	180
	Critical Impulse	Pos. /kV	100	130	180	210	255	290	330
		Neg. /kV	125	155	205	260	340	380	425
Withstand voltage	Low frequency	Dry/kV	55	60	90	100	120	140	160
		Wet/kV	50	55	80	90	110	130	145
	Impulse/kV	80	110	150	170	200	235	250	
Radio influence voltage data	Test voltage/kV	15	15	22	30	44	44	44	
	Max. RIV at 1,000kHz/uV	50	100	100	200	200	200	200	
Net weight/lb(kg)	18 (8.2)	20 (9.1)	26 (11.8)	32 (14.6)	42 (19.1)	54 (24.5)	61 (27.7)		

POECELAIN LINE POST INSULATOR

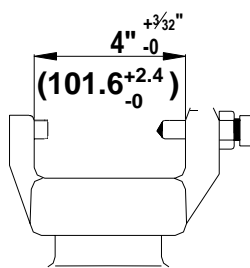
Details of Top and Base



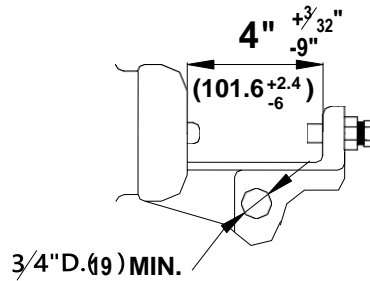
Top and side-wire groove
 Shall a 1-15/16 inch (49.2mm)
 diameter mandrel

Top wire groove
 shall a 1-7/16 inch (36.5mm)
 diameter mandrel

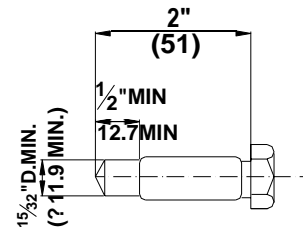
Vertical-Clamp



Clamp-Top Type Horizontal-Clamp

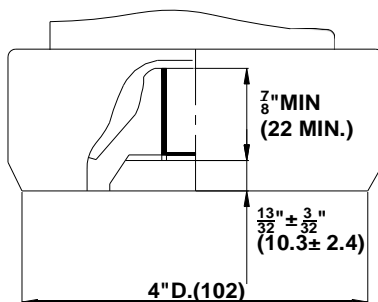


Trunion Bolt

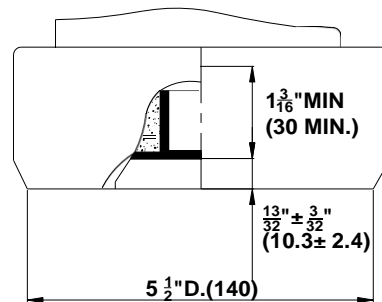


Baserecess

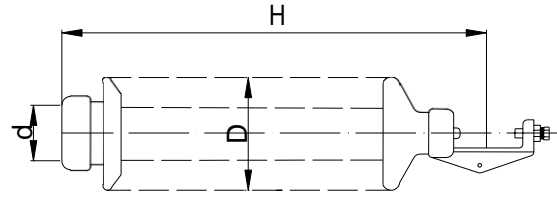
3/4-10UNC
 (PD0.7077"-0.7000")



7/8-9UNC
 (PD0.8260"-0.8178")



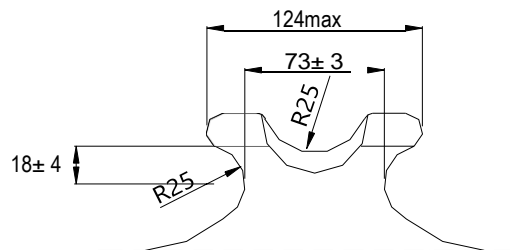
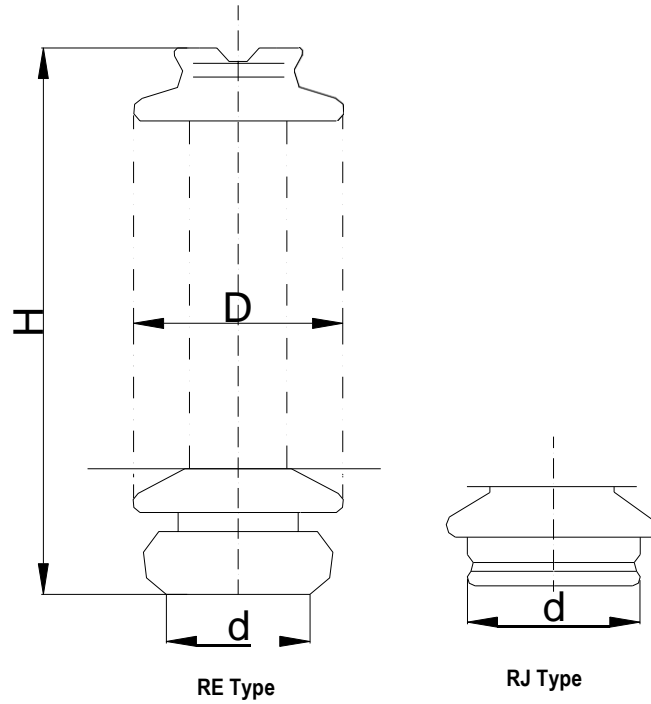
PORCELAIN LINE POST INSULATOR



STANDARD PARTICULARS

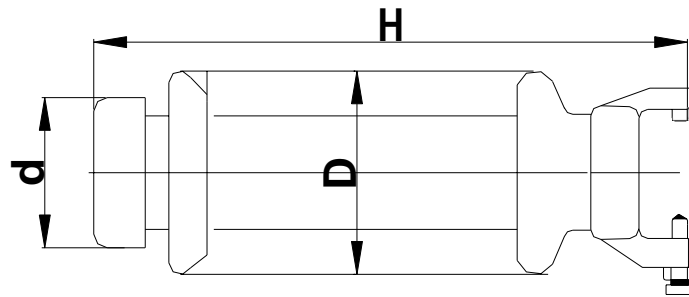
IEC Class	Lightning Impulse Withstand Voltage (KV)	Power Freq. Wet Withstand Voltage (kV)	Min. Creepage Distance (mm)	H (mm)	Min. nominal Dia. Of End Fitting d(mm)	Bolt Hole Dia. Of End Fitting	Max. Shed dia.D (mm)
R8 ET75L	75	28	250	190	90	M20	140
R8 JT75L							
R8 ET95L	95	38	350	222	90	M20	145
R8 JT95L							
R8 ET125L	125	50	530	305	90	M20	150
R8 JT125L							
R8 ET170L	170	70	720	370	90	M20	160
R8 JT170L							
R12.5 ET125N	125	50	400	305	100	M20	160
R12.5 JT125N							
R12.5 ET170N	170	70	580	370	110	M20	170
R12.5 JT170N							
R12.5 ET200N	200	85	620	430	120	M20	180
R12.5 JT200N							
R12.5 ET250N	250	95	860	510	120	M20	190
R12.5 JT250N							
R12.5 ET325N	325	140	1200	660	140	M24	200
R12.5 JT325N							
R12.5 ET75L	75	28	250	190	90	M20	160
R12.5 JT75L							
R12.5 ET95L	95	38	350	222	100	M20	165
R12.5 JT95L							
R12.5 ET125L	125	50	530	305	100	M20	170
R12.5 JT125L							
R12.5 ET170L	170	70	720	370	110	M20	180
R12.5 JT170L							
R12.5 ET200L	200	85	900	430	120	M20	190
R12.5 JT200L							
R12.5 ET250L	250	95	1140	510	120	M20	200
R12.5 JT250L							
R12.5 ET325L	325	140	1450	660	140	M24	210
R12.5 JT325L							

PORCELAIN LINE POST INSULATOR



Standard Head

PORCELAIN LINE POST INSULATOR



STANDARD PARTICULARS

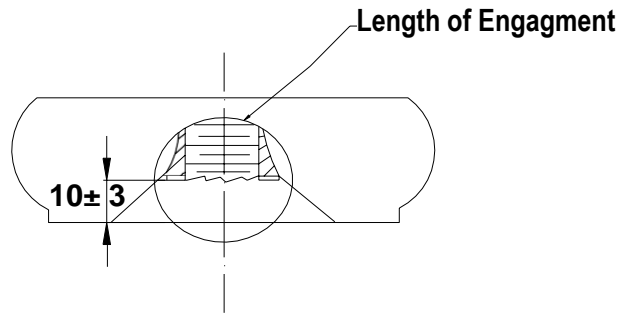
IEC Class	Lightning Impulse Withstand Voltage (KV)	Power Freq. Wet Withstand Voltage (kV)	Min. Creepage Distance (mm)	H (mm)	Min. nominal Dia. Of End Fitting d(mm)	Bolt Hole Dia. Of End Fitting	Max. Shed dia.D (mm)
R12.5EC125N	125	50	400	350	100	M20	160
R12.5EH125N				370			
R12.5EC170N	170	70	580	420	110	M20	170
R12.5EH170N				440			
R12.5EC200N	200	85	620	495	120	M20	180
R12.5EH200N				515			
R12.5EC250N	250	95	860	570	120	M20	190
R12.5EH250N				590			
R12.5EC325N	325	140	1200	710	140	M24	200
R12.5EH325N				730			
R12.5EC75L	75	28	250	235	90	M20	160
R12.5EH75L				255			
R12.5EC95L	95	38	350	270	100	M20	165
R12.5EH95L				290			
R12.5EC125L	125	50	530	350	100	M20	170
R12.5EH125L				370			
R12.5EC170L	170	70	720	420	110	M20	180
R12.5EH170L				440			
R12.5EC200L	200	85	900	495	120	M20	190
R12.5EH200L				515			
R12.5EC250L	250	95	1140	570	120	M20	200
R12.5EH250L				590			
R12.5EC325L	325	140	1450	710	140	M24	210
R12.5EH325L				730			

Note: 1. EC-Vertical clamp-top type.

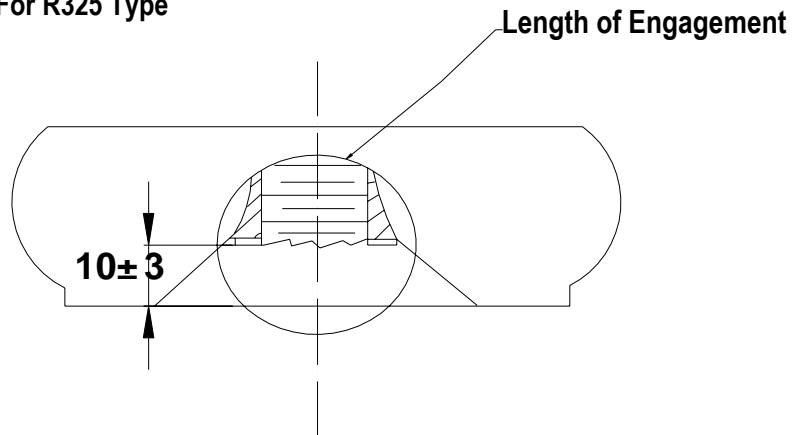
2. EH-Horizontal clamp-top type.

PORCELAIN LINE POST INSULATOR

For R250 Type



For R325 Type



Details of Bottom Metal Fittings

PORCELAIN PIN POST INSULATOR

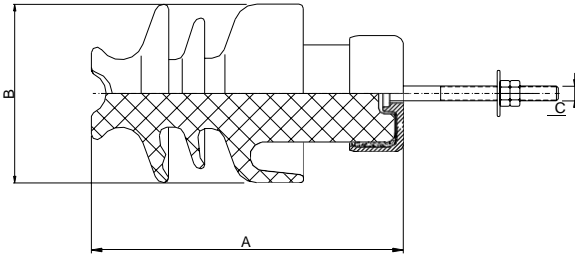


Fig 1

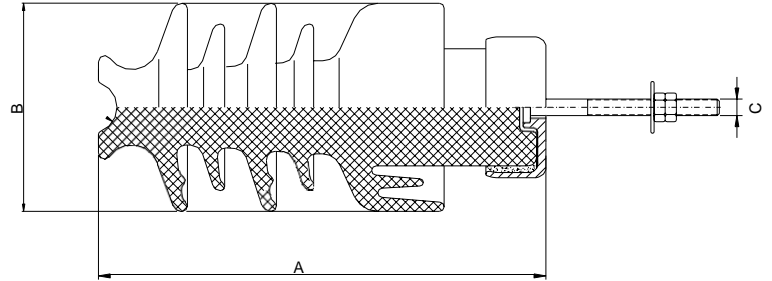


Fig 2

STANDARD PARTICULARS

Cat. No.			0301025-4	0301035-4	0301045-4
Fig No.			1	1	2
Usual line voltage/kV			11	24	36
Designation of Neck			F	F	F
Height "A" (mm)			222	336	432
Diameter "B"(mm)			146	175	205
Stud Diameter "C" (mm)			M20	M20	M20
Min. leakage distance (mm)			350	530	875
Dry arcing distance/in(mm)			165	311	368
Cantilever strength/lb(kN)			12.5	12.5	12.5
Average flashover voltage	Low Frequency	Dry/kV	80	110	150
		Wet/kV	60	85	125
	Critical Impulse	Pos. /kV	130	210	255
		Neg. /kV	155	260	340
Withstand voltage	Low frequency	Dry/kV	60	85	120
		Wet/kV	45	65	100
	Impulse/kV		110	180	200
Radio influence voltage data	Test voltage/kV		15	24	36
	Max. RIV at 1,000kHz/uV		100	200	200
Net weight (kg)			5	10	16